

eCom *Slice*
Network Data Acquisition Products & Systems

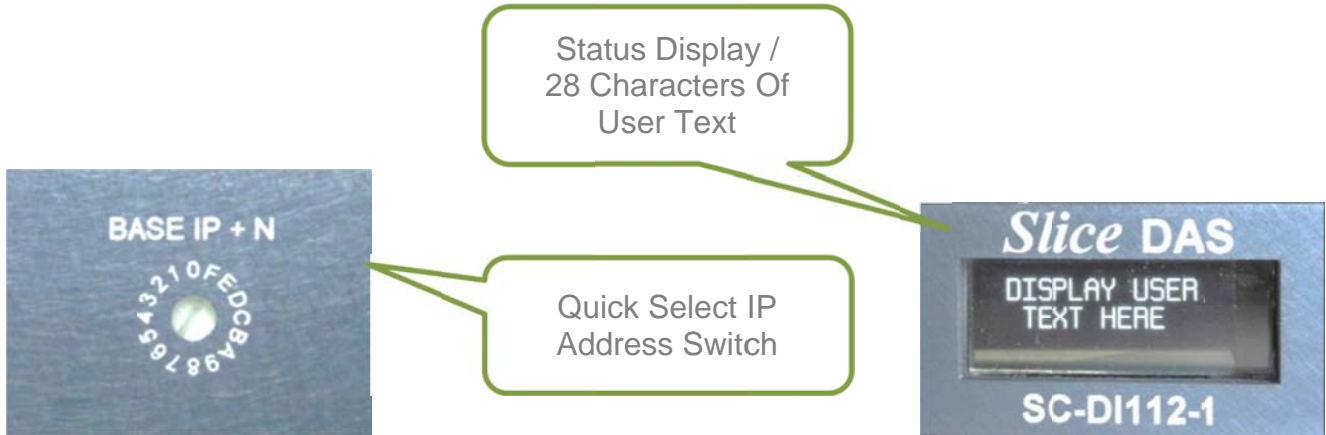
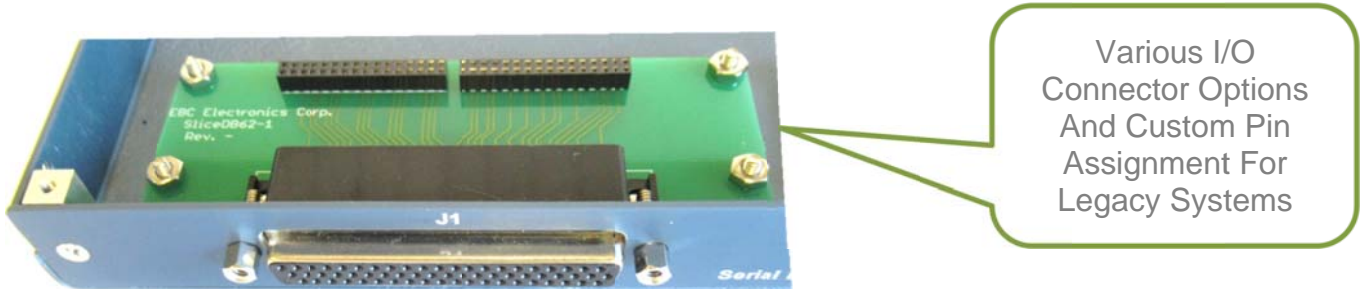
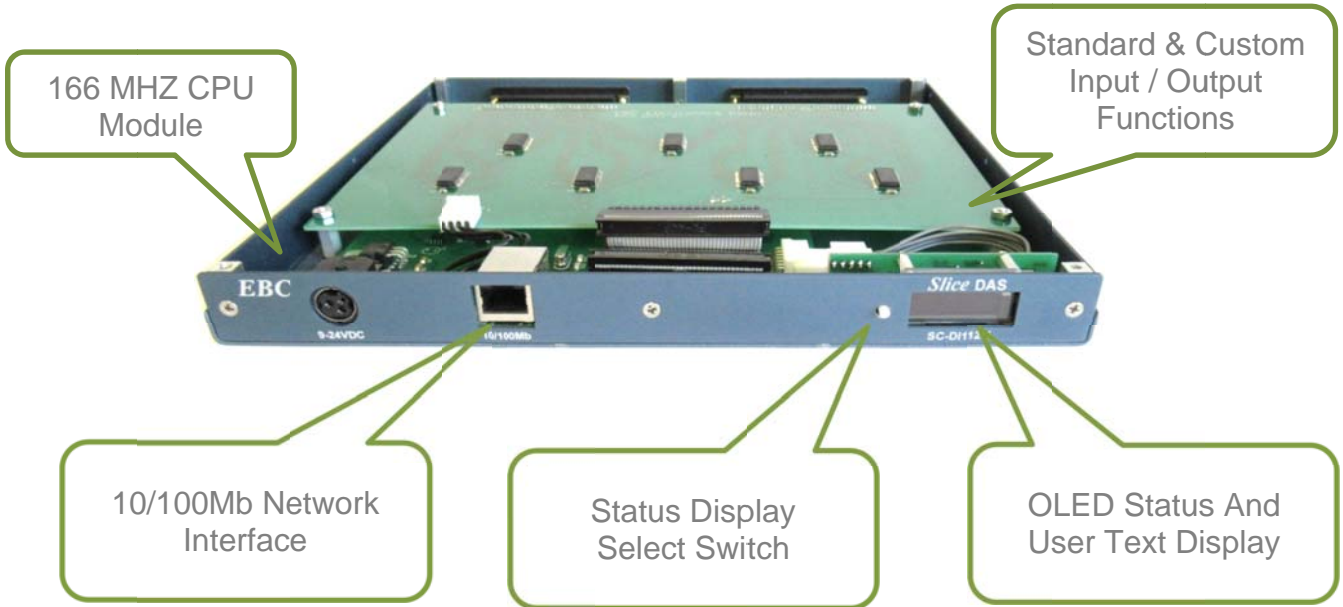


Digital I/O Analog I/O Intercom/Audio

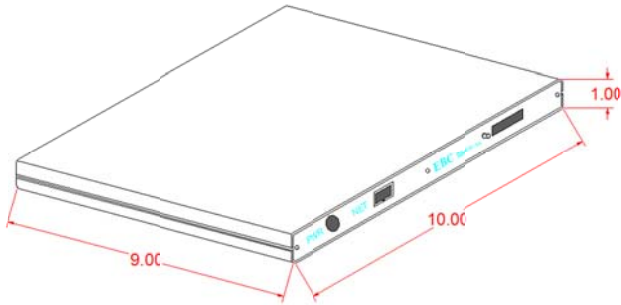
Custom & Legacy System Solutions

Modular Designs For Life Cycle Sustainability
And Legacy Systems

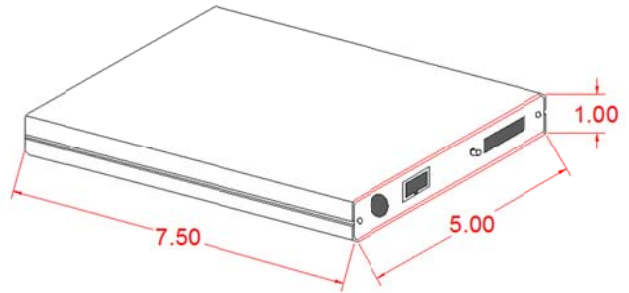
Slice Chassis UDP Protocol



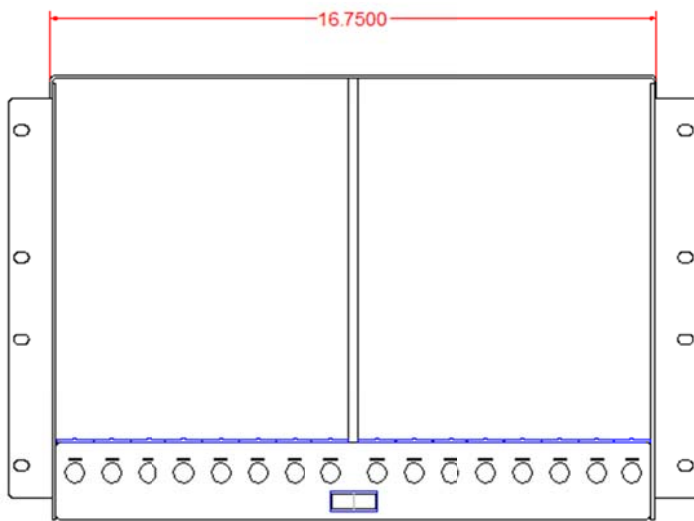
Dimensions



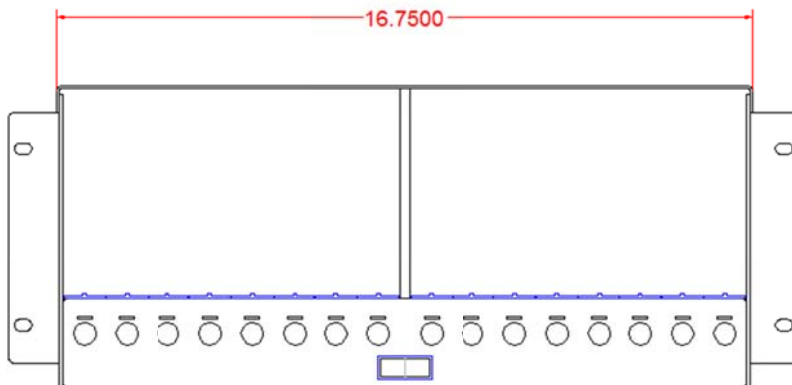
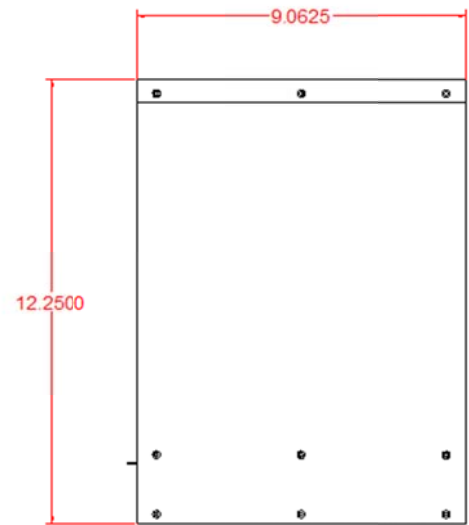
Slice SL1-XXXX Chassis



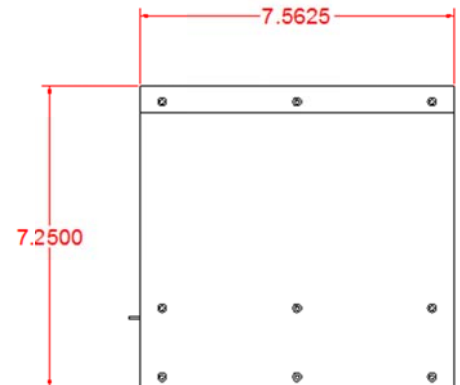
Slice SL2-XXXX Chassis



SL1 Rack Chassis / Power Supply



SL2 Rack Chassis / Power Supply





eCom *Slice*

Data Acquisition Products

Part No. **Description**

SL1 Series Units

SC-DI112-X	112 Digital Inputs (3.3V Logic Level / Internal Pull Up)
SC-DO112-X	112 Digital Inputs (3.3V Logic Level / 10ma Max. Current)
SC-DIO56-X	56 Digital In & Out (3.3V DI / 10ma Max. Current DO)
SC-SSR62-X	62 Solid State Relay (30V Max. / 250ma Max.)
SC-AI16-X	16 12 Bit Analog Inputs (0-5V & 0-10V Inputs)
SC-AO16-X	16 12 Bit Analog Outputs (0-5V & 0-10V Outputs)

SL2 Series Units

SC-DI56-X	56 Digital Inputs (3.3V Logic Level / Internal Pull Up)
SC-DO56-X	56 Digital Inputs (3.3V Logic Level / 10ma Max. Current)
SC-DIO24-X	24 Digital In & Out (3.3V DI / 10ma Max. Current)
SC-SSR24-X	24 Solid State Relay (30V Max.) / (250ma Max.)
SC-AI8-X	8 12 Bit Analog Inputs (0-5V & 0-10V Inputs)
SC-AO8-X	8 12 Bit Analog Outputs (0-5V & 0-10V Outputs)

HSI Series Units

HSI-101-X	1 Headset + L/L Audio Network Interface (8Khz/16 Bit)
HSI-401-X	4 Headsets + L/L Audio Network Interface (8Khz/16 Bit)
HSI-801-X	8 Headsets + L/L Audio Network Interface (8Khz/16 Bit)

-X = Connector Type

- 1 = DB62 Female

- 2 = 62 Pin Ribbon

Rack Chassis

SL1C1-1	SL1 Series 16 Slot, 19 Inch Rack Chassis / Power Supply
SL2C1-1	SL2 Series 16 Slot, 19 Inch Rack Chassis / Power Supply

Call For Pricing & Quantity Discounts